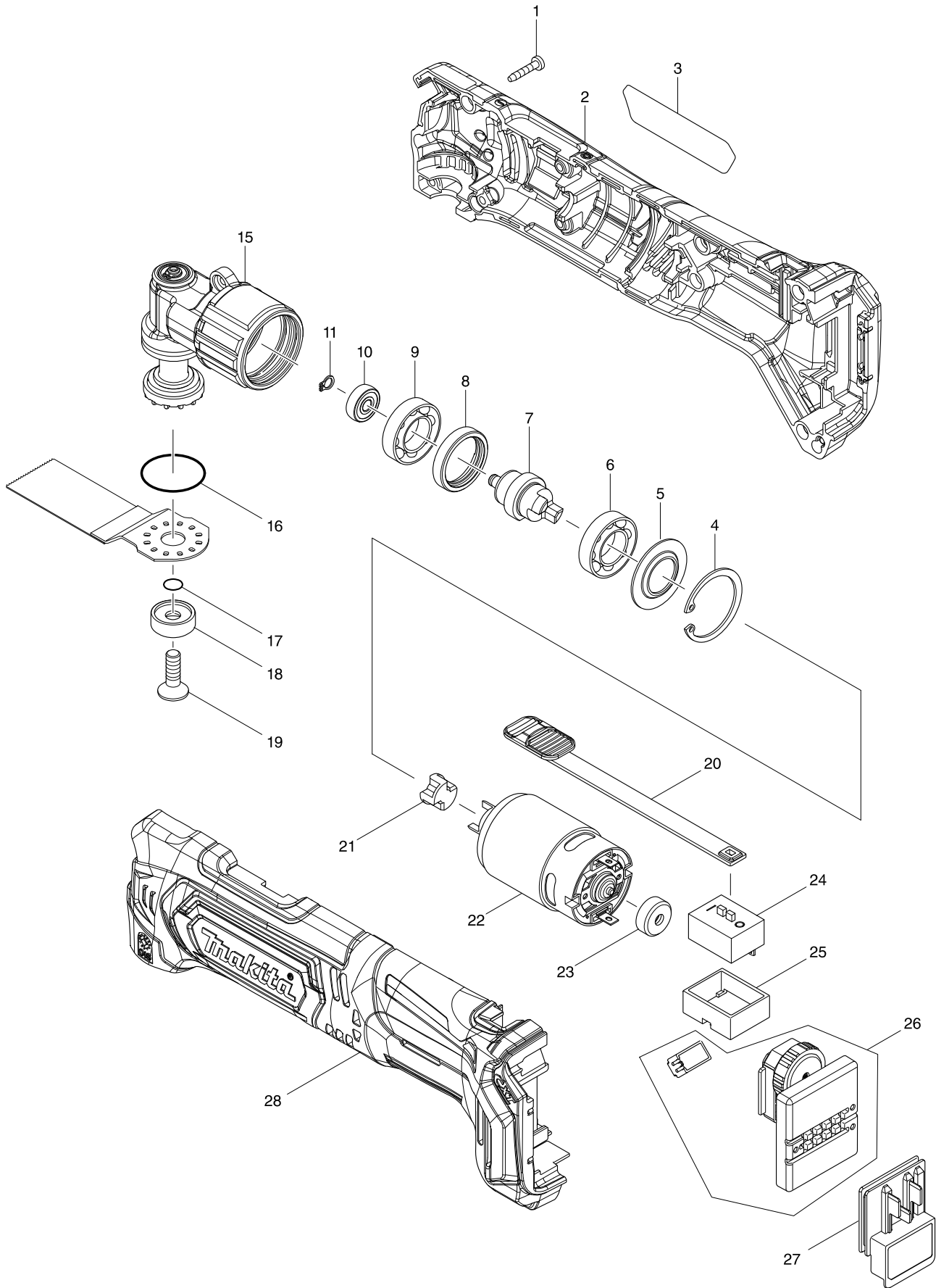


Model No. TM30D CORDLESS MULTI TOOL



Model No. TM30D CORDLESS MULTI TOOL

| Item | Parts No. | Description | I/C | Qty | N/O | Opt. 1 | Opt. 2 | Note |
|------|-----------|------------------------------|-----|-----|-----|--------|--------|------|
| 001 | 266429-2 | TAPPING SCREW 3X16 | | 12 | | | | |
| 002 | 183E32-3 | MOTOR HOUSING SET | | 1 | | | | |
| C10 | 263039-6 | RUBBER PIN 4 | | 3 | | | | |
| C20 | 424859-5 | CUSHION | | 2 | | | | |
| D10 | | INC. 28 | | | | | | |
| 003 | 852E52-5 | TM30D NAME PLATE | | 1 | | | | |
| 004 | 962151-6 | RETAINING RING R-32 | | 1 | | | | |
| 005 | 253368-5 | WASHER 16 | | 1 | | | | |
| 006 | 210147-4 | BALL BEARING 6902 | | 1 | | | | |
| 007 | 326719-6 | CRANK SHAFT | | 1 | | | | |
| 008 | 456788-4 | SPACER 21 | | 1 | | | | |
| 009 | 210147-4 | BALL BEARING 6902 | | 1 | | | | |
| 010 | 210144-0 | SPHERE BEARING 505 | | 1 | | | | |
| 011 | 961008-8 | RETAINING RING S-5 | | 1 | | | | |
| 015 | 144085-7 | CRANK HOUSING COMPLETE | | 1 | | | | |
| 016 | 213987-9 | O-RING 25 | | 1 | | | | |
| 017 | 213021-5 | O RING 5 | | 1 | | | | |
| 018 | 224455-7 | OUTER FLANGE 22 | | 1 | | | | |
| 019 | 266783-4 | HEX.SOCKET C.S.H.SCREW M6X20 | | 1 | | | | |
| 020 | 456791-5 | SWITCH KNOB | | 1 | | | | |
| 021 | 424833-3 | SPACER | | 1 | | | | |
| 022 | 629221-1 | DC MOTOR | | 1 | | | | |
| 023 | 424467-2 | CAP | | 1 | | | | |
| 024 | 651610-2 | SWITCH | | 1 | | | | |
| 025 | 424860-0 | SWITCH COVER | | 1 | | | | |
| 026 | 620522-0 | CONTROLLER | | 1 | | | | |
| C10 | 620543-2 | LED CIRCUIT | | 1 | | | | |
| 027 | 644813-5 | TERMINAL | | 1 | | | | |
| 028 | 183E32-3 | MOTOR HOUSING SET | | 1 | | | | |
| C10 | 263039-6 | RUBBER PIN 4 | | 3 | | | | |
| C20 | 424859-5 | CUSHION | | 2 | | | | |
| D10 | | INC. 2 | | | | | | |
| A01 | 783233-9 | HEX. WRENCH 5 | | 1 | | | | |
| | | | | | | | | |
| | | | | | | | | |
| | | | | | | | | |
| | | | | | | | | |
| | | | | | | | | |
| | | | | | | | | |
| | | | | | | | | |
| | | | | | | | | |
| | | | | | | | | |
| | | | | | | | | |
| | | | | | | | | |
| | | | | | | | | |
| | | | | | | | | |
| | | | | | | | | |
| | | | | | | | | |
| | | | | | | | | |
| | | | | | | | | |
| | | | | | | | | |
| | | | | | | | | |
| | | | | | | | | |
| | | | | | | | | |
| | | | | | | | | |
| | | | | | | | | |
| | | | | | | | | |
| | | | | | | | | |
| | | | | | | | | |
| | | | | | | | | |
| | | | | | | | | |
| | | | | | | | | |
| | | | | | | | | |
| | | | | | | | | |
| | | | | | | | | |